



Created for patients.
Designed for
laryngologists.

Hercules[®] 100

TRANSNASAL ESOPHAGEAL BALLOON

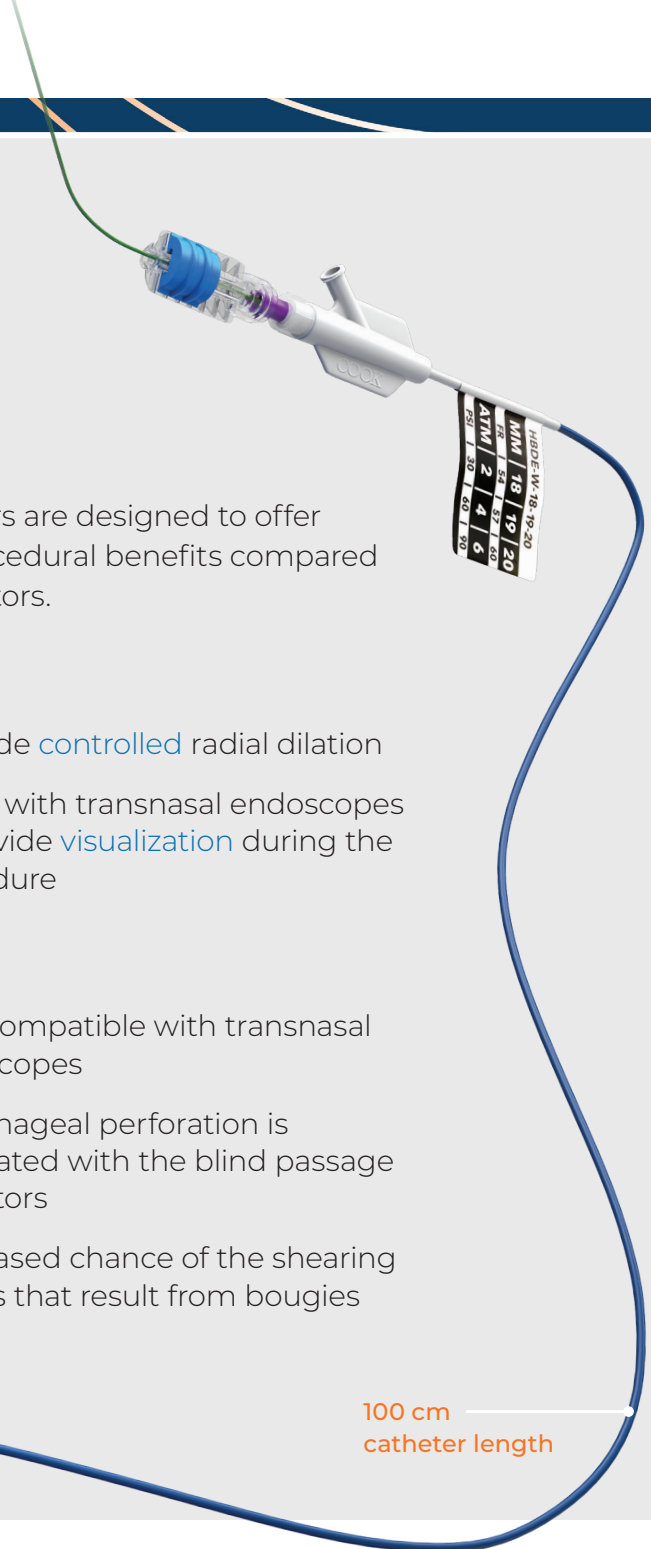
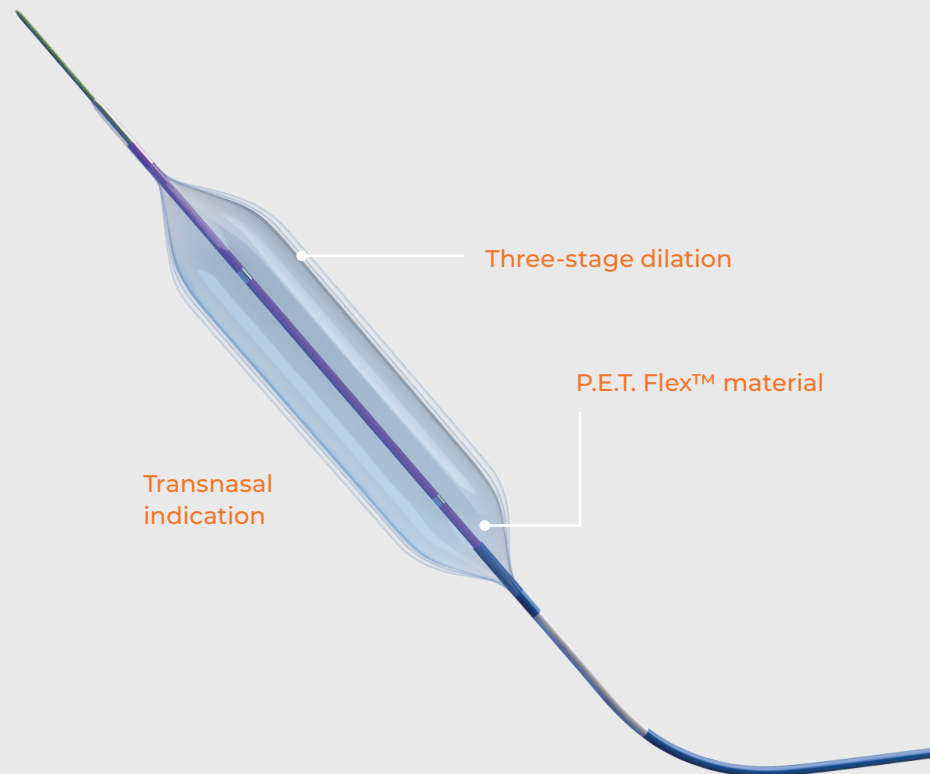
The first balloon designed for
transnasal esophageal strictures.

DESIGNED FOR LARYNGOLOGISTS.

With a transnasal indication and a **100 cm catheter length** that is comparable to most transnasal endoscopes, this device was created to meet the specific needs of otolaryngologists and the transnasal esophagoscopy (TNE) procedures they perform.

CREATED FOR PATIENTS.

Taking the proven technology of a **three-stage balloon** to the Hercules® 100 Transnasal Esophageal Balloon – the first balloon designed for transnasal esophageal procedures.



Balloon dilators are designed to offer increased procedural benefits compared to bougie dilators.

Balloons¹

- Provide **controlled** radial dilation
- Used with transnasal endoscopes to provide **visualization** during the procedure

Bougies¹

- Not compatible with transnasal endoscopes
- Esophageal perforation is associated with the blind passage of dilators
- Increased chance of the shearing effects that result from bougies

100 cm
catheter length

Go from the **OR** to the **office**. The Hercules 100 Transnasal Esophageal Balloon is the first balloon designed for transnasal esophageal procedures, which allow for in-office treatment.²

Providing esophageal dilation and swallow therapy treatments in-office allows patients convenience and accessibility. In several cases, outpatient treatment can also be less stressful on the patient.



fewer complications²

\$15k
savings

compared to similar procedures performed in the operating room²



eliminates the need for general anesthesia³



decreased post-procedure recovery times²



potentially lower out-of-pocket expenses²



“The benefits of the office are twofold. So I think cost is a real piece, especially in today’s era. They don’t get the cost of anesthesia, they don’t get the cost of pre-op and the post-op care, but they also don’t lose their day.”

- DR. REBECCA HOWELL

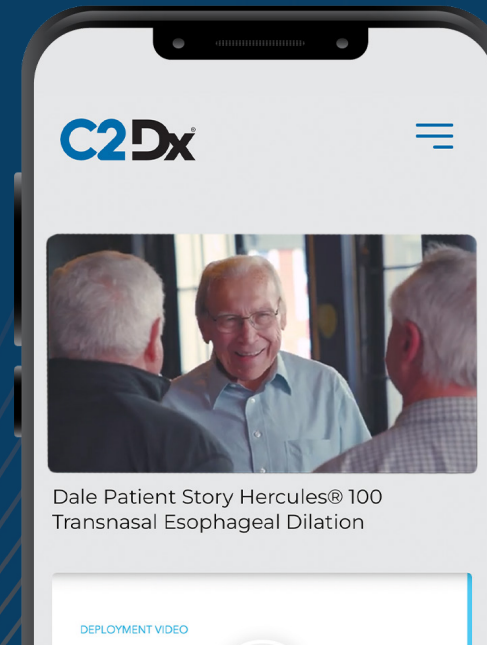
Otolaryngology
Head & Neck Surgeon



“Last year I was not able to even swallow pills. They’d get stuck and I would end up in the emergency room. But right now I’d say I’m the best I’ve been in years.”

- GREG THARP

Dysphagia Patient

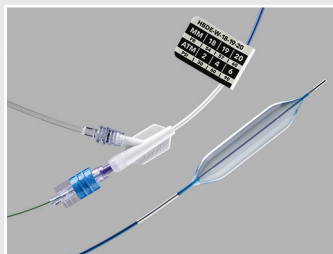


Hear more patient testimonials on our website

Hercules® 100

TRANSNASAL ESOPHAGEAL BALLOON

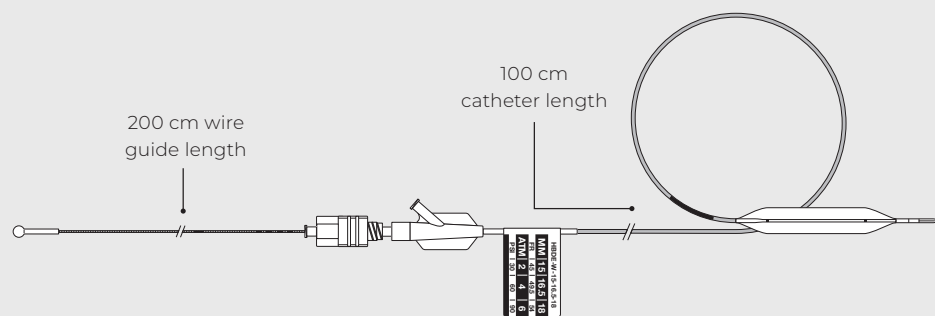
Used to dilate strictures in the esophagus and the upper esophageal sphincter.



Order Number	Reference Part Number	Balloon Catheter Length cm	Inflated Balloon Diameter mm	Inflated Balloon Diameter Fr	Balloon Length cm
G35267	HBDE-W-8-9-10			24-27-30	5.5
G35268	HBDE-W-10-11-12			30-33-36	5.5
G35269	HBDE-W-12-13.5-15			36-40.5-45	5.5
G35270	HBDE-W-15-16.5-18			45-49.5-54	5.5
G35271	HBDE-W-18-19-20			54-57-60	5.5

Note: Catheter diameter is 7.8 Fr. Wire guide length is 200 cm.

Some products or part numbers may not be available in all markets. Contact your local C2Dx representative or Customer Service for details.



Sphere®

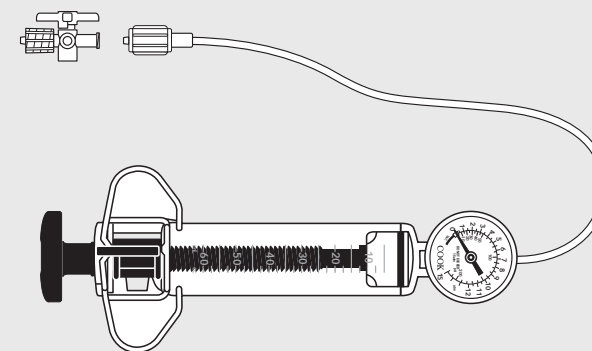
INFLATION DEVICE

The C2Dx Sphere Inflation Device is designed to be used with Hercules balloons.



Order Number	Reference Part Number	Fluid Capacity mL	Maximum Pressure atm
G34903	CID-60-15	60	15

Some products or part numbers may not be available in all markets. Contact your local C2Dx representative or Customer Service for details.



1. Egan JV, Baron TH, Adler DG, et al. Esophageal dilation. *Gastrointest Endosc.* 2006;63(6):755-760.
2. Howell R, Schopper M, Giliberto J et al. Office-based esophageal dilation in head and neck cancer: safety, feasibility, and cost analysis. *Laryngoscope.* 2018;128(10):2261-2267.
3. Venkatesan NN, Belafsky PC. Office-based treatment of dysphagia. *Oper Tech Otolaryngol.* 2016;27:104-113.



Learn more about
Hercules 100 at
c2dx.com



For news and
updates, follow us on
LinkedIn



To schedule a product
training, contact
your local C2Dx sales
representative

*Copyright© 2024 C2Dx

*Printed in U.S.A.

*555 East Eliza St, Ste. A

*Schoolcraft, MI 49087 USA

*t: 888 902 2239

*www.c2dx.com

